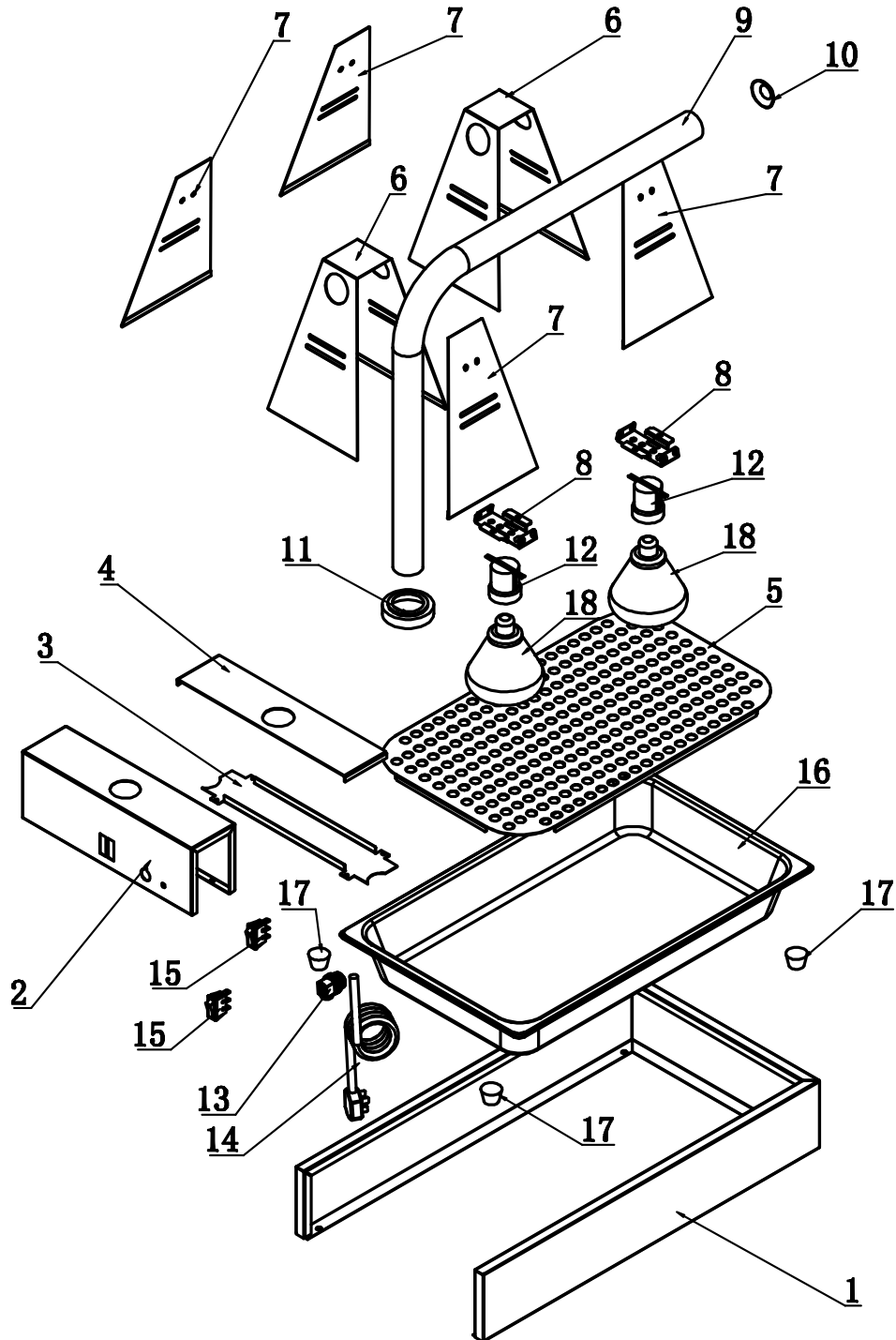


# Parts Breakdown

Model FW-CN-0736 39602



# Parts Breakdown

---

## Model FW-CN-0736 39602

Item No.	Description	Position	Item No.	Description	Position	Item No.	Description	Position
69983	Coaming for 39602	1	69971	Lampshade Side Plate for 39602	7	69977	Silicone Loop Bushing 10 for 39602	13
69984	Control Panel for 39602	2	69972	Lamp Base Fixed Plate for 39602	8	69978	Power Wire 3x1mmsq 3 Meters for 39602	14
69985	Bottom Seal Plate for 39602	3	69973	Lampshade Rail for 39602	9	69979	Red Switch for 39602	15
69986	Stiffening Plate for 39602	4	69974	Cover of Lampshade Rail 38 for 39602	10	69988	GN Pan 1/2 for 39602	16
69987	Filter Plate for 39602	5	69975	Steel Pipe Set 38 for 39602	11	69981	Plastic Feet for 39602	17
69970	Lampshade Body for 39602	6	69976	E27 Ceramic Lamp Holder for 39602	12	69420	Heating Lamp Bulb for 39602	18